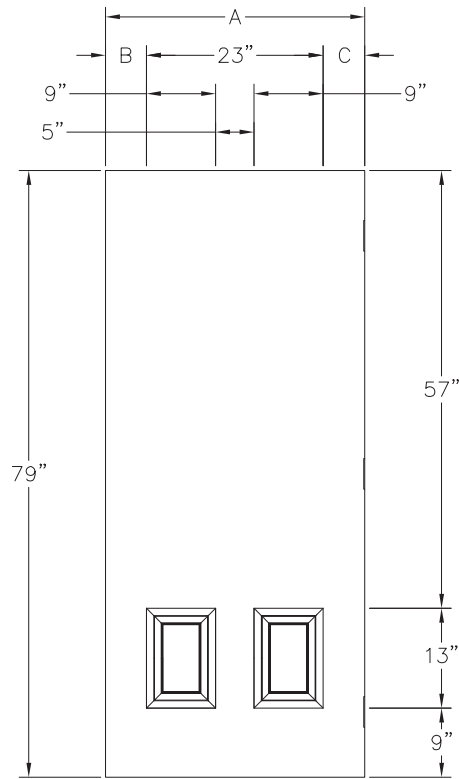
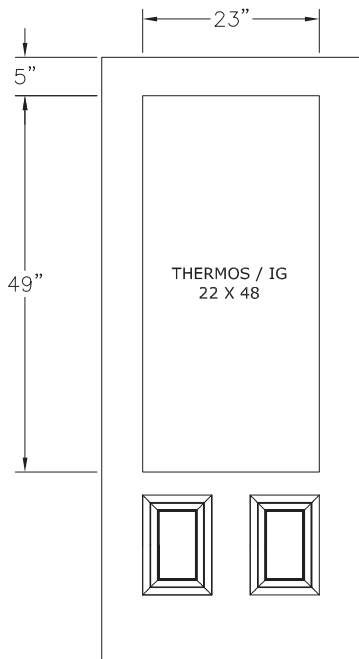


			2'8"	2'10"	3'0"	
A	A	A	A 31 3/4"	A 33 3/4"	A 35 3/4"	A
B	B	B	B 4 5/16"	B 5 5/16"	B 6 5/16"	B
C	C	C	C 4 7/16"	C 5 7/16"	C 6 7/16"	C
			XX-006-005-001-XXX	XX-006-010-001-XXX	XX-006-015-001-XXX	



OUVERTURE SUGGÉRÉE / SUGGESTED CUT-OUT



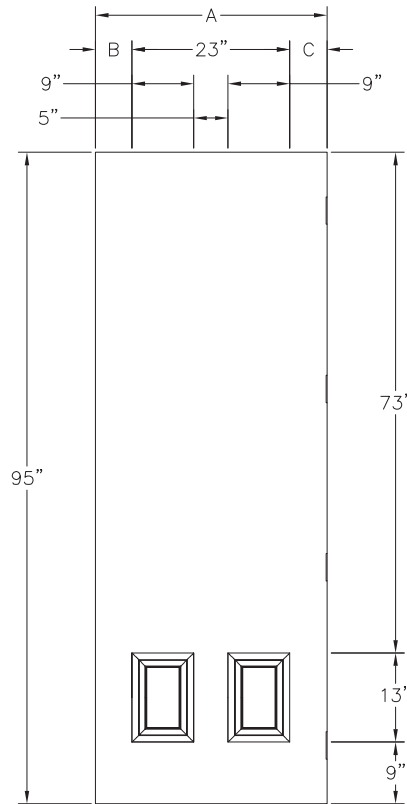
DESCRIPTION

(6'8") 2P haut uni / 2P Blank Top (PS)

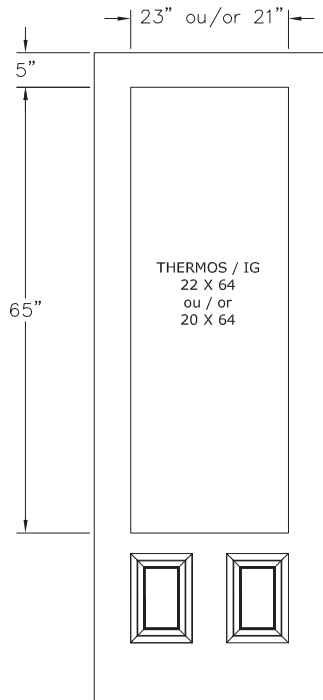
VERSION

02

			2'8"	2'10"	3'0"		
A	A	A	A 31 3/4"	A 33 3/4"	A 35 3/4"	A	A
B	B	B	B 4 3/16"	B 5 3/16"	B 6 3/16"	B	B
C	C	C	C 4 5/16"	C 5 5/16"	C 5 5/16"	C	C
			XX-006-126-001-XXX	XX-006-127-001-XXX	XX-006-128-001-XXX		



OUVERTURE SUGGÉRÉE / SUGGESTED CUT-OUT



DESCRIPTION

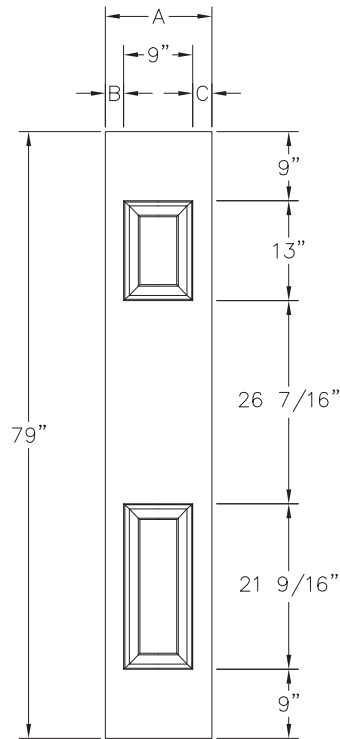
(8'0") 2P haut uni / 2P Blank Top (PS)

VERSION

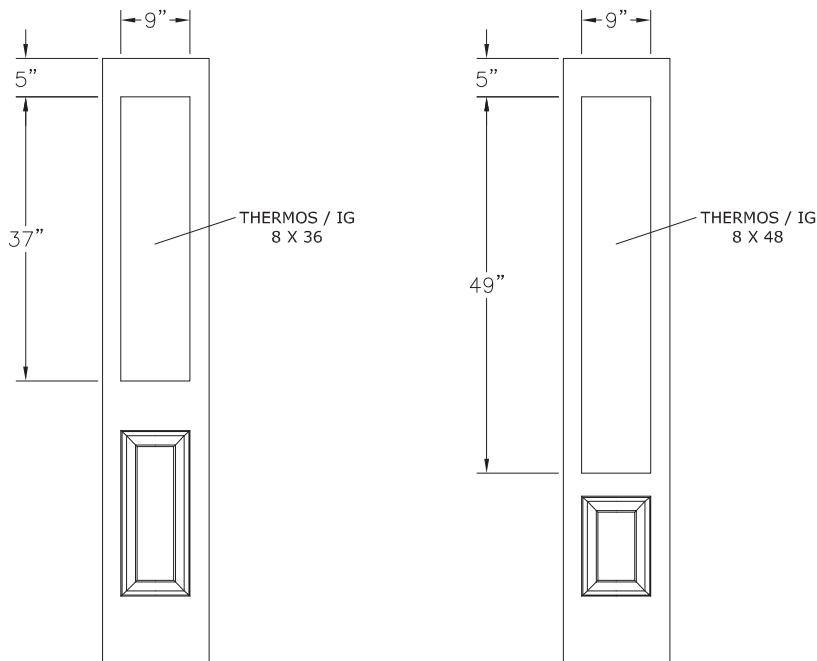
02

1'0"		1'2"		1'5"		1'6"				
A	11 7/8"	A	13 7/8"	A	16 7/8"	A	17 7/8"	A		A
B	1 3/8"	B	2 3/8"	B	3 7/8"	B	4 3/8"	B		B
C	1 1/2"	C	2 1/2"	C	4"	C	4 1/2"	C		C
XX-029-169-001-XXX		XX-029-173-001-XXX		XX-029-245-001-XXX		XX-029-244-001-XXX				

RÉVERSIBLE / REVERSIBLE



OUVERTURE SUGGÉRÉE / SUGGESTED CUT-OUT



DESCRIPTION

(6'8") Réversible XE (latéral) / Reversible XE (Sidelite) (P0)

VERSION

02