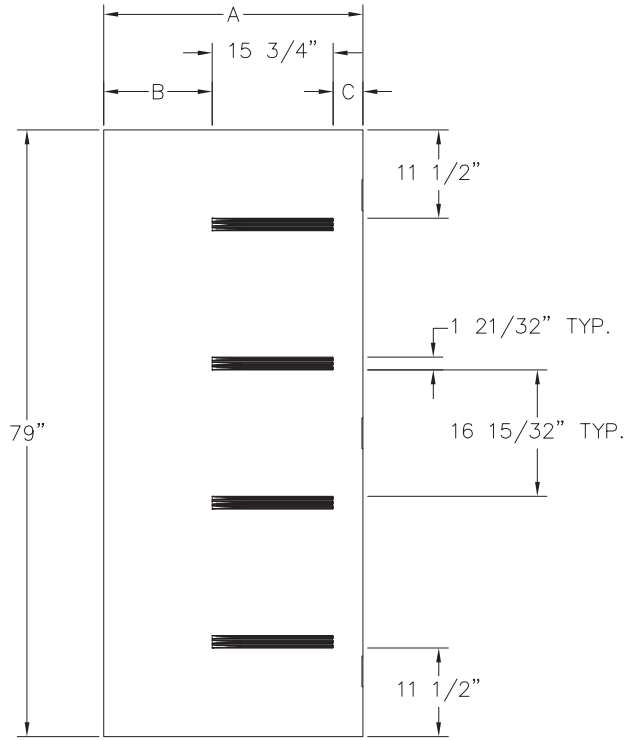
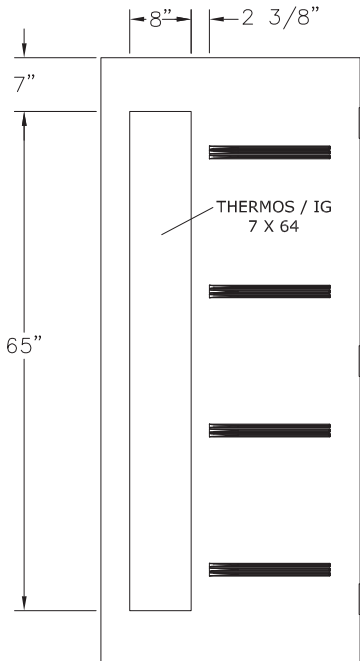


				2'10"	3'0"	
A	A	A	A	A 33 3/4"	A 35 3/4"	A
B	B	B	B	B 14 1/8"	B 15 1/8"	B
C	C	C	C	C 3 7/8"	C 4 7/8"	C
				XX-077-010-001-XXX	XX-077-015-001-XXX	



OUVERTURE SUGGÉRÉE / SUGGESTED CUT-OUT



DESCRIPTION

(6'8") 0so (PS)

VERSION

02