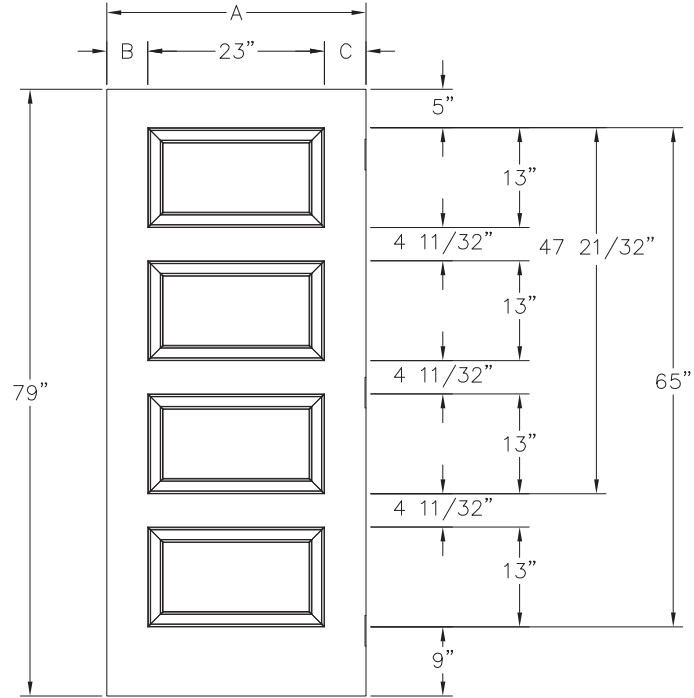
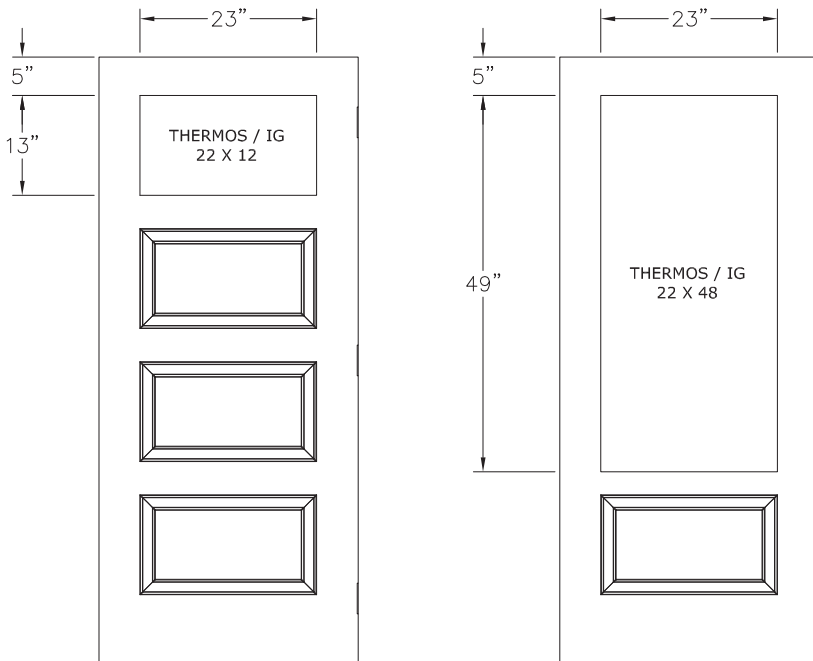


			2'8"	2'10"	3'0"	
A	A	A	31 3/4"	33 3/4"	35 3/4"	A
B	B	B	4 5/16"	5 5/16"	6 5/16"	B
C	C	C	4 7/16"	5 7/16"	6 7/16"	C
			XX-106-005-001-XXX	XX-106-010-001-XXX	XX-106-015-001-XXX	



OUVERTURE SUGGÉRÉE / SUGGESTED CUT-OUT



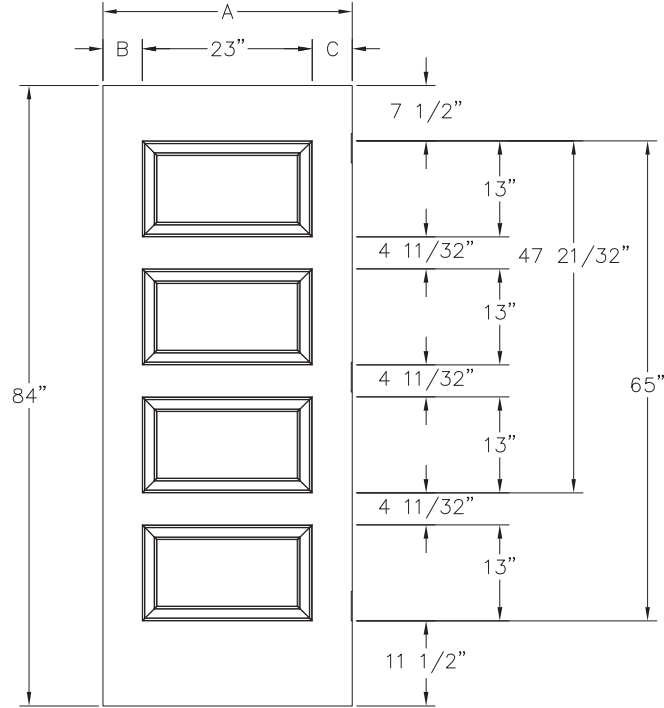
DESCRIPTION

(6'8") Soho (PS)

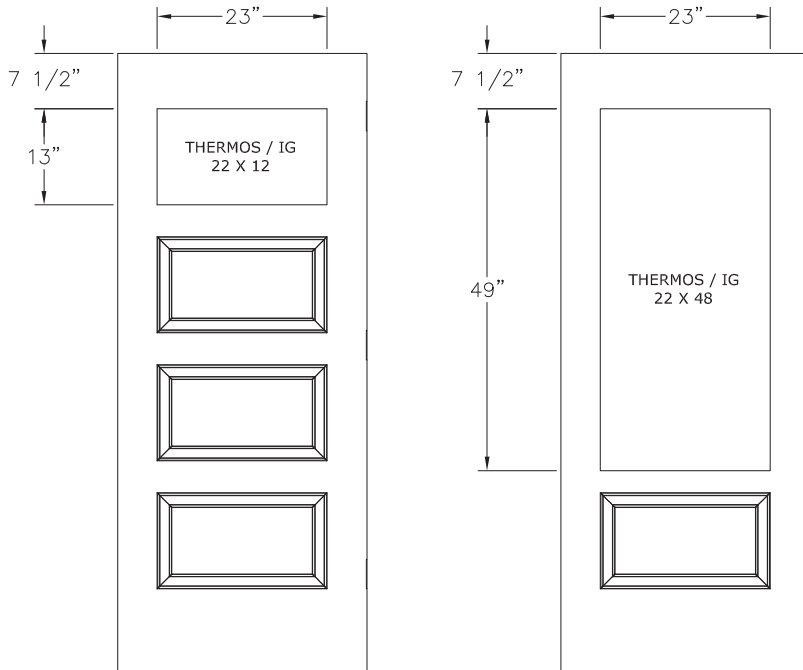
VERSION

02

			2'8"	2'10"	3'0"	
A	A	A	A 31 3/4"	A 33 3/4"	A 35 3/4"	A
B	B	B	B 4 5/16"	B 5 5/16"	B 6 5/16"	B
C	C	C	C 4 7/16"	C 5 7/16"	C 6 7/16"	C
			XX-106-158-001-XXX	XX-106-159-001-XXX	XX-106-160-001-XXX	



OUVERTURE SUGGÉRÉE / SUGGESTED CUT-OUT



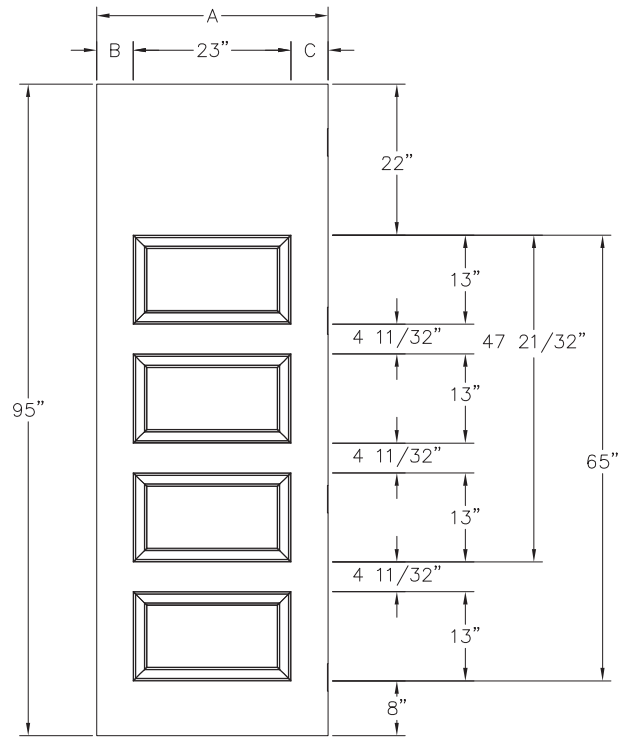
DESCRIPTION

(7'0") Soho (P12)

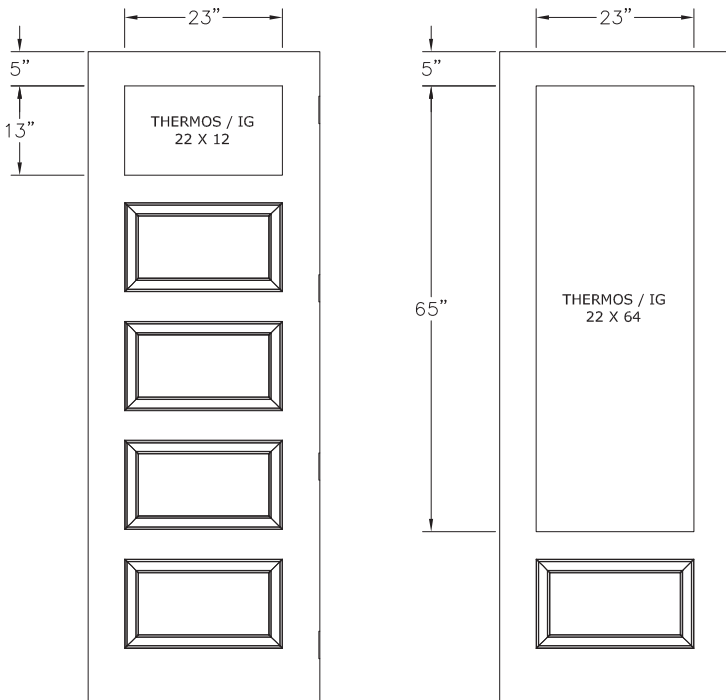
VERSION

02

			2'8"	2'10"	3'0"	
A	A	A	A 31 3/4"	A 33 3/4"	A 35 3/4"	A
B	B	B	B 4 5/16"	B 5 5/16"	B 6 5/16"	B
C	C	C	C 4 7/16"	C 5 7/16"	C 6 7/16"	C
			XX-106-126-001-XXX	XX-106-127-001-XXX	XX-106-128-001-XXX	



OUVERTURE SUGGÉRÉE / SUGGESTED CUT-OUT



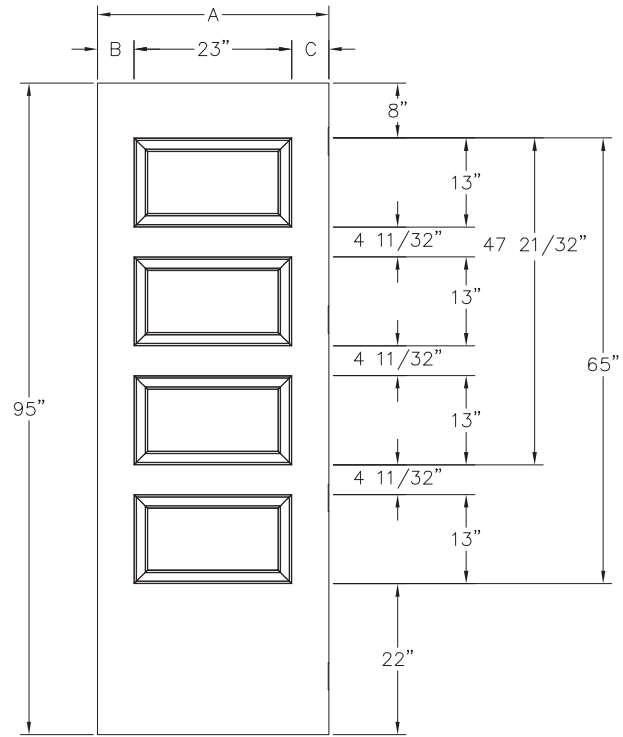
DESCRIPTION

(8'0") Soho - A (PS)

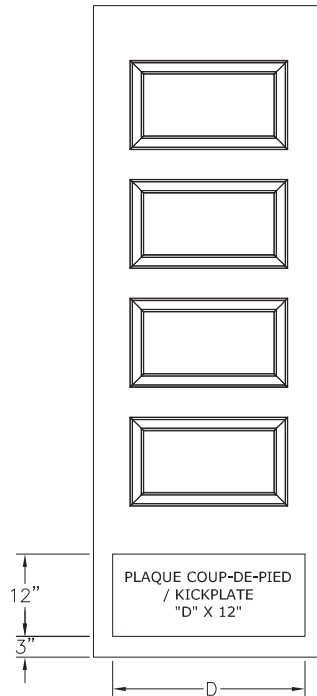
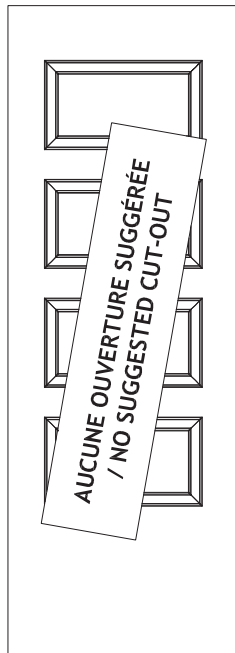
VERSION

02

			2'8"	2'10"	3'0"	
A	A	A	31 3/4"	33 3/4"	35 3/4"	A
B	B	B	4 5/16"	5 5/16"	6 5/16"	B
C	C	C	4 7/16"	5 7/16"	6 7/16"	C
			XX-108-126-001-XXX	XX-108-127-001-XXX	XX-108-128-001-XXX	



OUVERTURE SUGGÉRÉE / SUGGESTED CUT-OUT



PORTE 31 3/4" DOOR : D=26"
 PORTE 33 3/4" DOOR : D=28"
 PORTE 35 3/4" DOOR : D=30"

DESCRIPTION

(8'0") Soho - B (PS)

VERSION

02